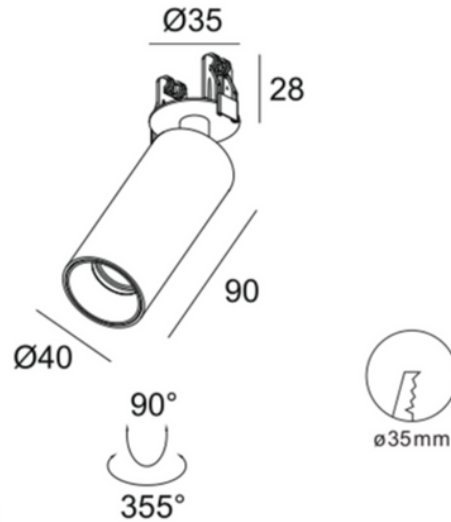


## options:

product code	trim colour	cct	beam angle	watts	driver
SM-1280	WH BL	2700 3000	10°	7	PH (Phase) DA (DALI)
			15°		
			24°		
			36°		
			50°		



## performance specifications

LED Power	7w
LED type	COB
Luminous Flux	630lm
CCT	2700k, 3000k
Beam Angle	10°/15°/24°/36°/50°
Input Voltage	Max.19V
CRI	Ra≥92
Lifetime	40,000hrs
Warranty	3yrs
IP Rating	IP20

## design specifications

Material	Aluminium Alloy
Trim Colour	White/Black
Cutout	35mm
Diameter	Ø40mm
Height	90mm

