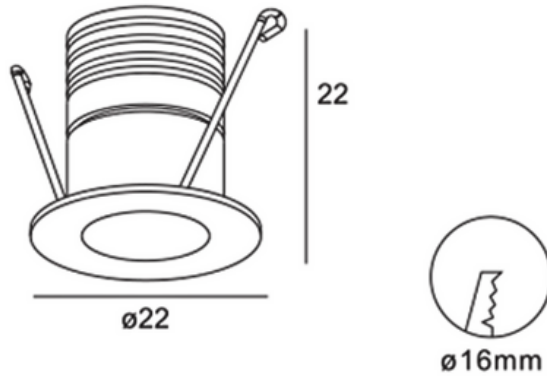


options:

| product code | trim colour | cct | beam angle | watts | driver |
|--------------|-------------|--------------|--------------------------|-------|-------------------------|
| JL-0629 | WH BL | 2700 3000 | 15° 24° 36° 60° | 1 | PH (Phase) DA (DALI) |



performance specifications

| | |
|---------------|-----------------|
| LED Power | 1w |
| LED type | COB |
| Luminous Flux | 150lm |
| CCT | 2700k, 3000k |
| Beam Angle | 15°/24°/36°/60° |
| Input Voltage | Max.3V |
| CRI | Ra≥92 |
| Lifetime | 40,000hrs |
| Warranty | 3yrs |
| IP Rating | IP44 |

design specifications

| | |
|-------------|-----------------|
| Material | Aluminium Alloy |
| Trim Colour | White/Black |
| Cutout | 16mm |
| Diameter | Ø22mm |
| Height | 22mm |

